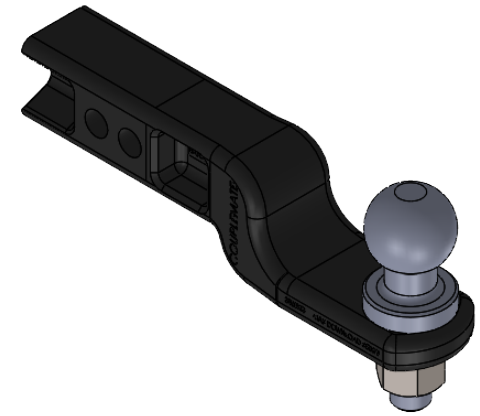
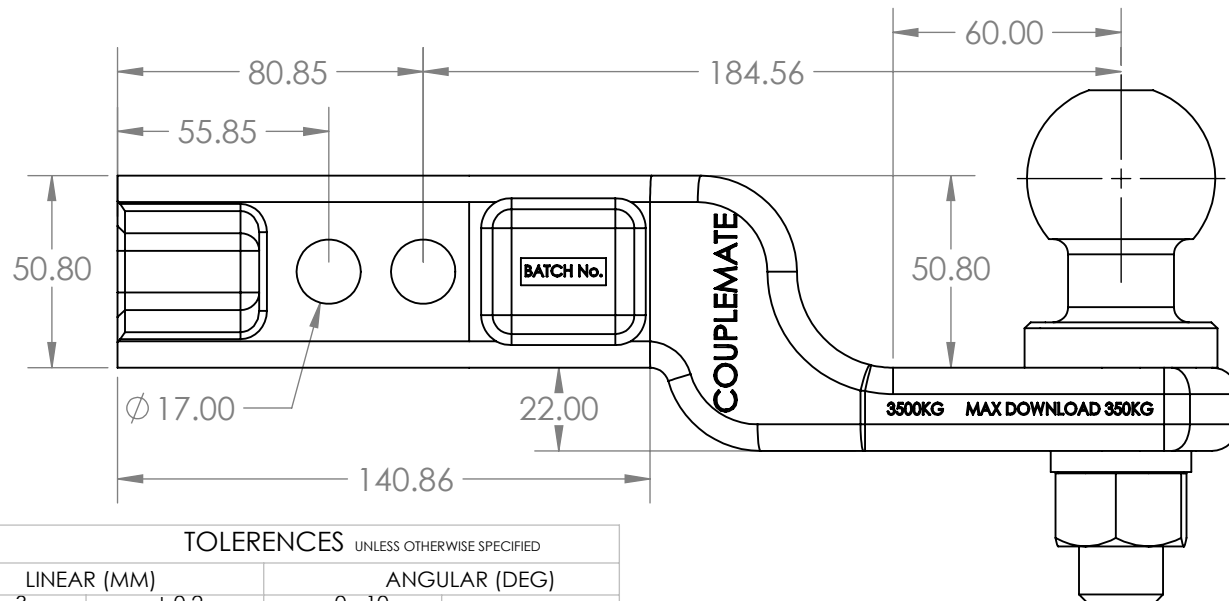
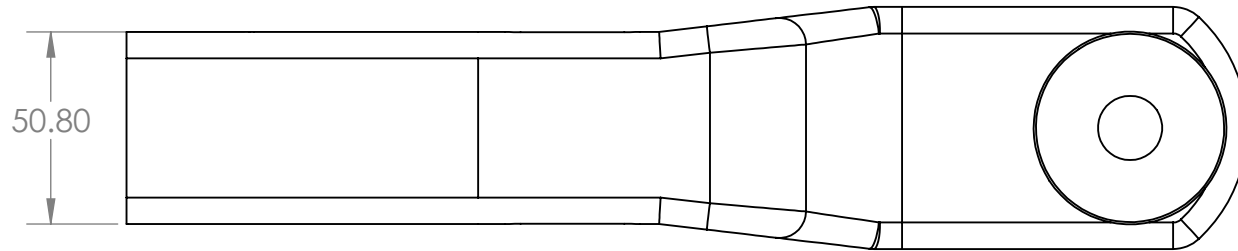


ITEM NO.	PART NUMBER	DESCRIPTION	QTY.
1	CM521	Cast Body	1
2	CM290-62	50mm Tow Ball	1
3	Regular LW 0.875	Spring Washer 7/8"	1
4	HNUT 0.8750-14-B-N	Nut 7/8"	1



CM521 is rated to 3500kg.
 Max Download is 350kg.
 50mm ball.
 Invertible.
 Tested to AS4177
 Supplied with Pin CM064



TOLERANCES UNLESS OTHERWISE SPECIFIED			
LINEAR (MM)		ANGULAR (DEG)	
0.5 - 3	± 0.2	0 - 10	± 1.5°
3 - 6	± 0.3	10 - 50	± 1°
6 - 30	± 0.5	50 - 120	± 0.5°
30 - 120	± 0.8	120 - 400	± 0.25°
120 - 400	± 1.2	400 +	± 0.16°
400 - 1000	± 2		
1000 - 2000	± 3		
2000 - 4000	± 4		

UNLESS OTHERWISE SPECIFIED: DIMENSIONS ARE IN MILLIMETERS		DRAWING NUMBER: INT_EDXX_XX		DEBURR AND BREAK SHARP EDGES	DO NOT SCALE DRAWING	REVISION: X
NAME	SIGNATURE	DATE		TITLE: CM521 SALES		
DRAWN RIELLY BROOK		3/03/23		COUPLMATE TRAILER PARTS 136 GLENORA STREET WYNUMM QLD 4178		
CHK'D				TEL: 07 3348 3822 FAX: 07 3348 2939 EMAIL: rielly@couplemate.com.au		
APPV'D				A4		
MFG				SCALE: 1:5		
Q.A			WEIGHT:	SHEET 1 OF 1		