

6

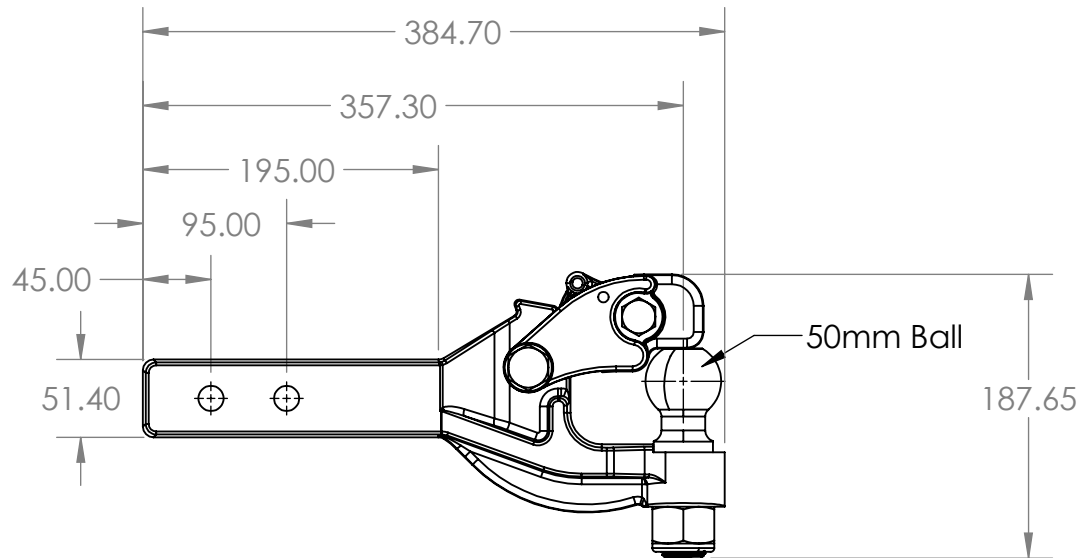
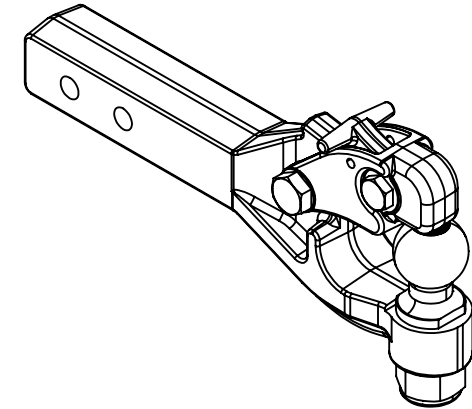
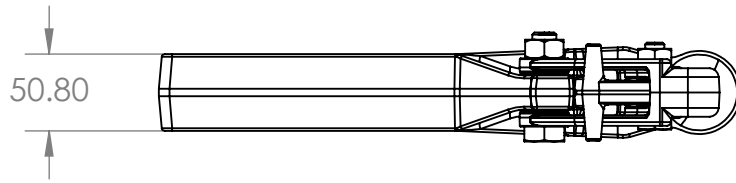
5

4

3

2


1



Note: Drawing for sales purposes only. Do not use for Production.

TOLERANCES UNLESS OTHERWISE SPECIFIED

LINEAR (MM)		ANGULAR (DEG)	
0.5 - 3	± 0.2	0 - 10	± 1.5°
3 - 6	± 0.3	10 - 50	± 1°
6 - 30	± 0.5	50 - 120	± 0.5°
30 - 120	± 0.8	120 - 400	± 0.25°
120 - 400	± 1.2	400 +	± 0.16°
400 - 1000	± 2		
1000 - 2000	± 3		
2000 - 4000	± 4		

UNLESS OTHERWISE SPECIFIED: DIMENSIONS ARE IN MILLIMETERS		DRAWING NUMBER:		DEBURR AND BREAK SHARP EDGES	DO NOT SCALE DRAWING	REVISION:
NAME	SIGNATURE	DATE		TITLE: CM530 SALES DRAWING		
DRAWN RIELLY BROOK		16/06/22		COUPLEMATE TRAILER PARTS 136 GLENORA STREET WYNUMM QLD 4178		
CHK'D				TEL: 07 3348 3822 FAX: 07 3348 2939 EMAIL: rielly@couplemate.com.au		
APPV'D				MATERIAL: FORGED BODY SURFACE FINISH:	A4	
MFG				WEIGHT:	SCALE: 1:5	SHEET 1 OF 1
Q.A						

6

5

4

3

2

1

D

C

B

A