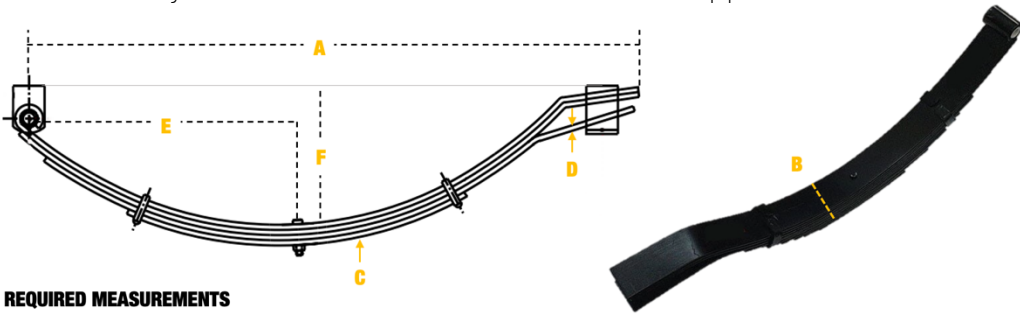


# MEASURING A TRAILER SPRING GUIDE

Correctly identifying your caravan or trailer spring measurements is essential when purchasing replacements. If the existing hangers and holders welded to the caravan chassis are to be used for new springs, ensure you check the measurements using the following guidelines:

## SLIPPER SPRINGS

Identified by a shackle at one end and a tail at the opposite end.

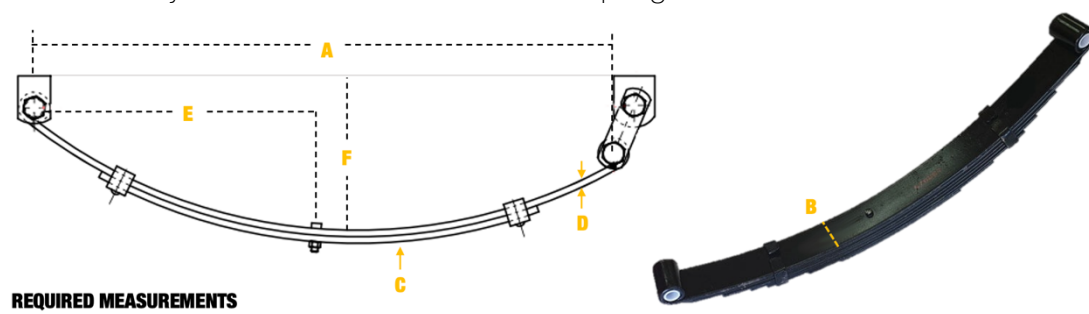


### REQUIRED MEASUREMENTS

- |                           |                             |
|---------------------------|-----------------------------|
| <b>A</b> Length           | <b>D</b> Width of each leaf |
| <b>B</b> Width            | <b>E</b> Centre Pin Offset  |
| <b>C</b> Number of leaves | <b>F</b> Camber             |

## SHACKLE SPRINGS / EYE TO EYE

Identified by a shackle at either end of the spring.

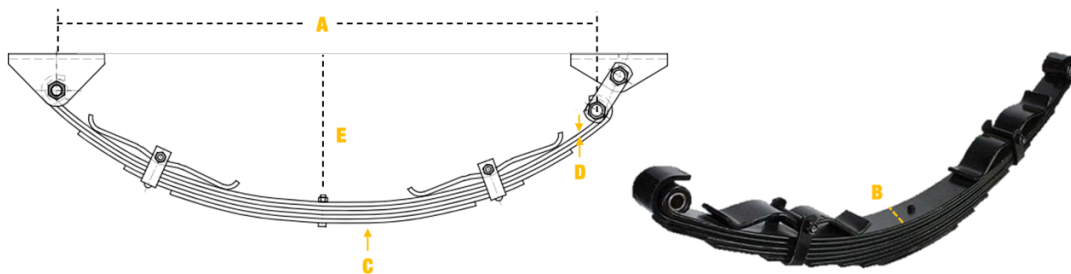


### REQUIRED MEASUREMENTS

- |                           |                             |
|---------------------------|-----------------------------|
| <b>A</b> Length           | <b>D</b> Width of each leaf |
| <b>B</b> Width            | <b>E</b> Centre Pin Offset  |
| <b>C</b> Number of leaves | <b>F</b> Camber             |

## OUTBACK SPRINGS

Identified by a rebound feature on top of the spring.

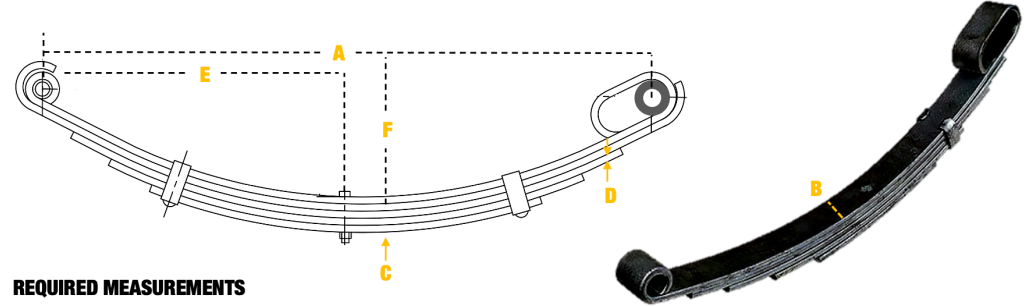


### REQUIRED MEASUREMENTS

- |                           |                             |
|---------------------------|-----------------------------|
| <b>A</b> Length           | <b>D</b> Width of each leaf |
| <b>B</b> Width            | <b>E</b> Camber             |
| <b>C</b> Number of leaves |                             |

## ROCKER ROLLER SPRINGS

Identified by a shackle at one end, and an elongated eyelet at the opposite end.



### REQUIRED MEASUREMENTS

- |                           |                             |
|---------------------------|-----------------------------|
| <b>A</b> Length           | <b>D</b> Width of each leaf |
| <b>B</b> Width            | <b>E</b> Centre Pin Offset  |
| <b>C</b> Number of leaves | <b>F</b> Camber             |

**NOTE – WHEN MEASURING THE LENGTH OF A SPRING MEASURE STRAIGHT ACROSS THE SPRING – DO NOT FOLLOW THE CURVE**