



Issue Date:  
AUG 2019

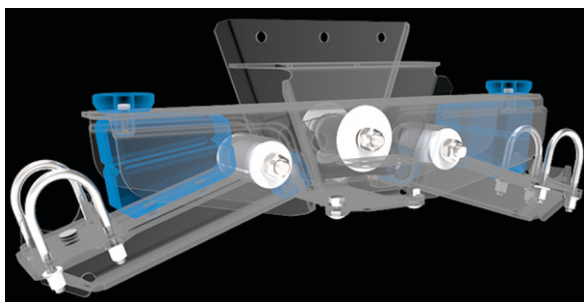
# TRAILER SUSPENSION PRICE LIST

**TIMBREN DISTRIBUTORS**  
AUSTRALIA PTY LTD



Suspension Model  
**Silent Ride**  
Equalised Tandem  
**BLACK FINISH**

Part Number:	Maximum Capacity		Axle Centres	RRP Inc GST
	Including Ball Weight			
YSR4000T	1,818KG		730mm or 29"	\$1905
YSR4429T	2,000KG		730mm or 29"	\$2010
YSR4433T	2,000KG		838mm or 33"	\$2010
YSR7000T-65	2,600KG		838mm or 33"	\$2140
YSR7K35T-65	2,600KG		889mm or 35"	\$2140
YSR7000T	3,180KG		838mm or 33"	\$2140
YSR7K35T	3,180KG		889mm or 35"	\$2140
YSR10KT-55	3,500KG		838mm or 33"	\$2575
YSR10KT	4,500KG		838mm or 33"	\$2575
YSR14K35T-65	4,500KG		889mm or 35"	\$3095
YSR14KT	6,350KG*		838mm or 33"	\$3095
YSR14K35T	6,350KG*		889mm or 35"	\$3095



Suspension Model  
**Silent Ride**  
Equalised Tandem  
**GALVANISED FINISH**

Part Number:	Maximum Capacity		Axle Centres	RRP Inc GST
	Including Ball Weight			
YSR4000T-G	1,818KG		730mm or 29"	\$2205
YSR4429T-G	2,000KG		730mm or 29"	\$2310
YSR4433T-G	2,000KG		838mm or 33"	\$2310
YSR7000T-65-G	2,600KG		838mm or 33"	\$2440
YSR7K35T-65-G	2,600KG		889mm or 35"	\$2440
YSR7000T-G	3,180KG		838mm or 33"	\$2440
YSR7K35T-G	3,180KG		889mm or 35"	\$2440
YSR10KT-55-G	3,500KG		838mm or 33"	\$2875
YSR10KT-G	4,500KG		838mm or 33"	\$2875
YSR14K35T-65-G	4,500KG		889mm or 35"	\$3395
YSR14KT-G	6,350KG*		838mm or 33"	\$3395
YSR14K35T-G	6,350KG*		889mm or 35"	\$3395

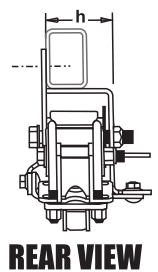
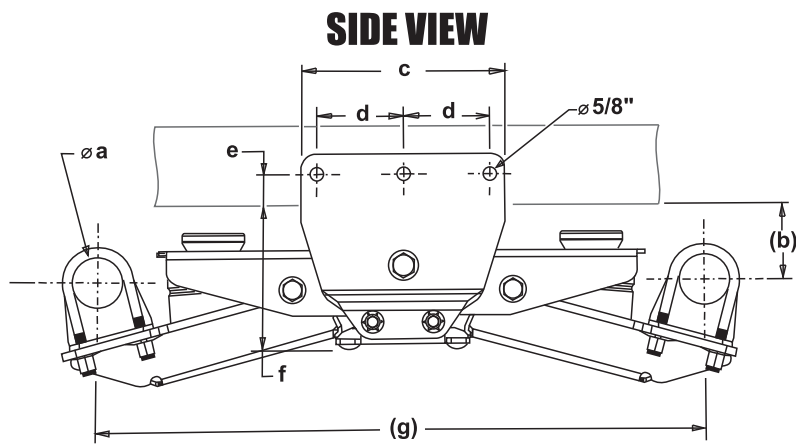
ALL KITS INCLUDE  
x1 LH Suspension  
x1 RH Suspension  
x4 Axle Seats  
x8 Ubolts & Nuts

Maximum stated capacities INCLUDE the towball weight.

This suspension is a lubrication free system.

Ubolt tensions must be checked on a regular basis and tensioned with a tension wrench to the specified level.

This suspension is made in CANADA.



Maximum Capacity	Dimensions mm								Weight kg's	Min Guard Clearance mm
	a	b	c	d	e	f	g	h		
1,800KG	VARIABLE	103*	254	108 (x2)	38	179	730	106	57	120
2,000KG		147*	292	108 (x2)	38	179	730 or 838	114	69	120
2,600KG		173*	292	108 (x2)	38	179	838 or 889	114	69	120
3,180KG		173*	292	108 (x2)	38	179	838 or 889	114	69	120
3,500KG		165*	352	108 (x2)	38	211	838 or 889	114	94	140
4,500KG		165*	352	108 (x2)	38	211	838 or 889	114	94	140
6,350KG	155*	352	108 (x2)	38	211	838 or 889	114	94	140	