

6

5

4

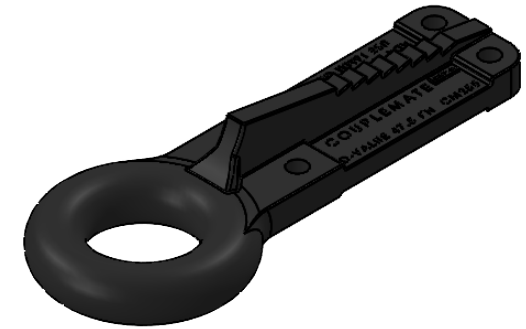
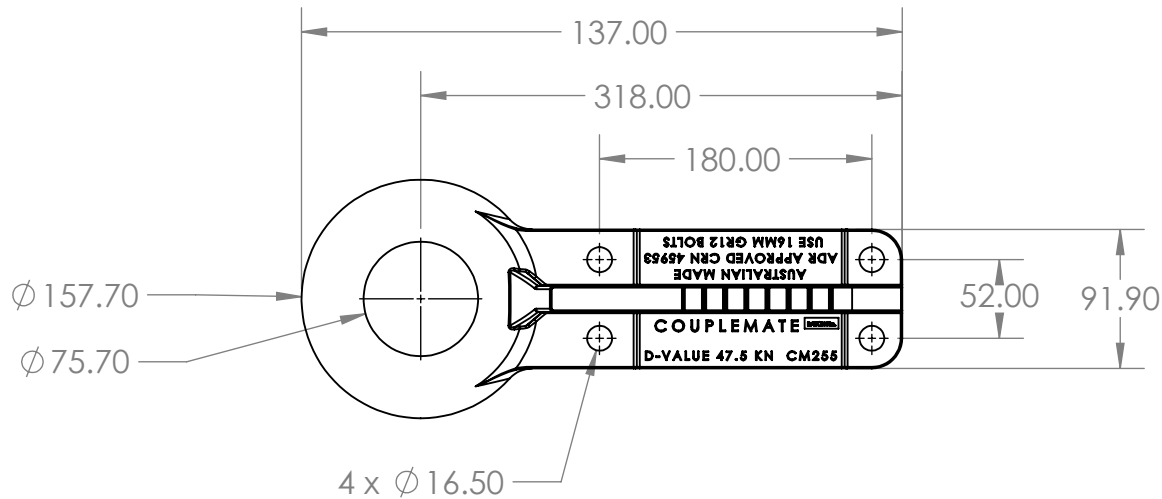
3

2

1

D

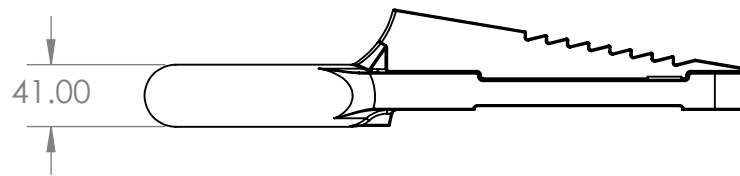
D



D-VALUE 47.5 KN

C

C



B

B

A

A

TOLERANCES UNLESS OTHERWISE SPECIFIED			
LINEAR (MM)		ANGULAR (DEG)	
0.5 - 3	± 0.2	0 - 10	±1.5°
3 - 6	± 0.3	10 - 50	±1°
6 - 30	± 0.5	50 - 120	±0.5°
30 - 120	± 0.8	120 - 400	±0.25°
120 - 400	± 1.2	400 +	±0.16°
400 - 1000	± 2		
1000 - 2000	± 3		
2000 - 4000	± 4		

UNLESS OTHERWISE SPECIFIED:
DIMENSIONS ARE IN MILLIMETERS
SURFACE FINISH:

DRAWING NUMBER:

DEBURR AND
BREAK SHARP
EDGES

DO NOT SCALE DRAWING

REVISION:



	NAME	SIGNATURE	DATE
DRAWN	RIELLY BROOK		8/04/22
CHK'D			
APP'VD			
MFG			
Q.A			

TITLE:

CM255

MATERIAL: CAST IRON

COUPLEMATE TRAILER PARTS
136 GLENORA STREET
WYNUMM QLD 4178

TEL: 07 3348 3822
FAX: 07 3348 2939
EMAIL: rielly@couplemate.com.au

A4

WEIGHT:

SCALE:1:5

SHEET 1 OF 1

6

5

4

3

2

1